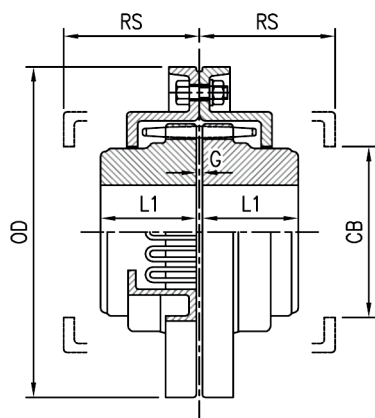
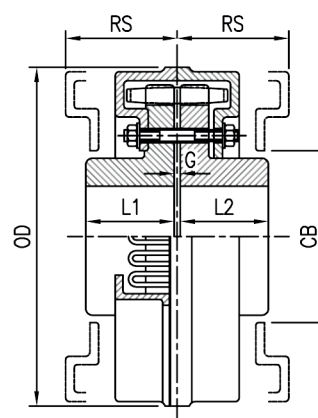


## STANDARD COUPLINGS—TYPE-T & H (WITH VERTICAL SPLIT COVERS)



TYPE - H  
( NO 201 TO 217 COLUMN 1 )



TYPE - T  
( NO 220 TO 223 COLUMN 1 )

### FOR USE ON HORIZONTAL SHAFT ONLY

Coupling No.	Rating HP/RPM	Clear Dia. OD (MM)	Boss Length L1 (MM)	Boss Length L2 (MM)	Removal Space RS (MM)	Gap G (MM)	Cover Bore CB (MM)	Safe Speed RPM	Stock Rough Bore (MM)	Bore Max. (MM)	Approx. Weight KGS
201	.006	105.0	38.0	38.0	52	.85	44.52	5650	10	29	3
202	.010	120.5	38.0	38.0	52	.85	58.80	4750	12	38	4
203	.020	144.5	44.5	44.5	59	.85	62.00	4450	16	41	5
204	.030	171.5	51.0	51.0	59	.85	87.45	3400	16	57	9
206	.045	190.5	51.0	51.0	79	.85	84.25	3200	16	54	11
207	.065	197.0	57.0	57.0	79	.85	96.95	2950	16	64	15
208	.095	222.0	63.5	63.5	79	.85	119.20	2500	25	78	20
209	.125	254.0	70.0	70.0	80	.85	143.00	2150	25	92	27
210	.185	276.0	89.0	89.0	80	.85	165.20	1900	25	108	43
211	.355	295.0	102.0	102.0	128	1.60	155.70	1800	38	102	54
213	.455	324.0	101.5	101.5	147	1.60	187.46	1650	50	123	63
214	.655	336.5	101.5	101.5	147	1.60	184.28	1550	50	121	72
215	.905	375.0	114.5	114.5	147	1.60	222.38	1350	50	146	104
217	1.255	425.5	127.0	127.0	147	1.60	254.00	1200	50	167	149
220	1.755	432.0	140.0	140.0	179	3.20	239.50	1200	75	157	175
221	2.405	432.0	140.0	140.0	179	3.20	239.50	1200	75	157	180
222	2.755	492.0	152.5	152.5	179	3.20	266.70	1100	85	173	207
223	3.505	492.0	152.5	152.5	179	3.20	266.70	1100	85	173	216

## BOSON ENGINEERING PVT LTD.

BRITISH TECHNOLOGY AT ITS BEST

### CONTACT US:

Corporate Office: 22 Richard Court, Stanley Road London W3 8FT, London, UK

India Office: BC – 121, Sector – I, Saltlake, Kolkata – 700 064

Mobile: +91 98302 26444. Phone: 0044 (0)20 7193 7286

E-mail: sales@bosonengineers.co.in, Website: www.bosonengineers.co.in